



## End of Life Notification (EOL)

Date : 2014/04/01

Documentation No.: EOL\_097-XB8SJ-JAXSX-oV1

<b>EOL Product :</b>	HERMES-A Series Industrial SLC & MLC 1.8" Slim Lite SATA II SSD (JEDEC MO-297A)		
<b>Part Number :</b>	Please download the related spec-sheets for EOL product Information.		
	<b>1.8" Slim Lite SATA II SSD</b>	<b>EOL Product</b>	<b>Alternative Solution</b>
	<b>SLC Product</b>	<b>HERMES-A (SATA II)</b>	<b>HERMES-F (SATA III)</b>
	<b>Spec-sheet</b>	<a href="#">_Click Here</a>	<a href="#">Click Here</a>
	<b>MLC Product</b>	<b>HERMES-A (SATA II)</b>	<b>HERMES-F (SATA III)</b>
	<b>Spec-sheet</b>	<a href="#">_Click Here</a>	<a href="#">Click Here</a>

**Description :**

2014/04/01 APRO re-announced officially EOL and the alternative solution for:  
**HERMES-A Series Industrial SLC 1.8" Slim Lite SATA II SSD**  
**HERMES-A Series MLC 1.8" Slim Lite SATA II SSD**  
 This decision was based on the EOL of controller JMicron JMF-602B for the products.

The alternative solution will be:  
**HERMES-F Series Industrial SLC 1.8" Slim Lite SATA III SSD**  
**HERMES-F Series MLC 1.8" Slim Lite SATA III SSD**

**Meanwhile, we also changed the designs of Front Label & Back Label for the new alternative SLC/MLC 1.8" Slim Lite SATA II SSD. You may learn the Product (labels) Change Notice (PCN) information in Appendix-A.**

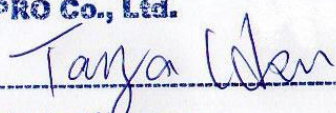
We hope this advance notice would provide you with sufficient time to acknowledge the EOL information. If you have any questions about this EOL notification, please contact your APRO account manager. From now on APRO account manager will start to investigate customers' last buy so we can prepare for the stock accordingly.

Please refer to below active date's information for the projects with samples approved previously.  
 Last Buy : Before June 30, 2014  
 Last Delivery : Before September 30, 2014

Product Manager  
Andy Lin

APRO Co., Ltd.



Web : [www.apro-tw.com](http://www.apro-tw.com)  
 Tel : +886 - 2 - 2929 0389  
 Fax : +886 - 2 - 2929 0307  
 e-mail: [andylin@apro-tw.com](mailto:andylin@apro-tw.com)

For and on behalf of  
**APRO Co., Ltd.**  
  
 Authorized Signature





**APRO Co., Ltd.**  
 Sales & Marketing Dep.  
 Web : [www.apro-tw.com](http://www.apro-tw.com)  
 e-mail: [tanja@apro-tw.com](mailto:tanja@apro-tw.com)

Appendix A: EOL product SLC/MLC 1.8" Slim Lite SATA SSD (SATA II)

Part Number List:

Flash Type	Capacity	Operating Temperature	EOL Product	Alternative Solution	Old Product Picture
			HERMES-A Series	HERMES-F Series	
SLC	4GB	Standard Grade 0 ° C~70 ° C	SB8SJ004G-JACSC	SB8SJ004G-JFCTC	
	8GB		SB8SJ008G-JACSC	SB8SJ008G-JFCTC	
	16GB		SB8SJ016G-JACSC	SB8SJ016G-JFCTC	
	32GB		SB8SJ032G-JACSC	SB8SJ032G-JFCTC	
	64GB		NA	SB8SJ064G-JFCTC	
	128GB		NA	SB8SJ128G-JFCTC	
	4GB	Industrial Grade -40 ° C~85 ° C	WB8SJ004G-JAISI	WB8SJ004G-JFITI	
	8GB		WB8SJ008G-JAISI	WB8SJ008G-JFITI	
	16GB		WB8SJ016G-JAISI	WB8SJ016G-JFITI	
	32GB		WB8SJ032G-JAISI	WB8SJ032G-JFITI	
	64GB		NA	WB8SJ064G-JFITI	
	128GB		NA	WB8SJ128G-JFITI	
Flash Type	Capacity	Operating Temperature	EOL Product	Alternative Solution	Old Product Picture
MLC	4GB	Standard Grade 0 ° C~70 ° C	SB8SJ004G-JACMC	NA	
	8GB		SB8SJ008G-JACMC	SB8SJ008G-JFCTM	
	16GB		SB8SJ016G-JACMC	SB8SJ016G-JFCTM	
	32GB		SB8SJ032G-JACMC	SB8SJ032G-JFCTM	
	64GB		SB8SJ064G-JACMC	SB8SJ064G-JFCTM	
	128GB		NA	SB8SJ128G-JFCTM	
	4GB	Wide Temperature -40 ° C~85 ° C	WB8SJ004G-JACMC/C	NA	
	8GB		WB8SJ008G-JACMC/C	WB8SJ008G-JFCTM-C	
	16GB		WB8SJ016G-JACMC/C	WB8SJ016G-JFCTM-C	
	32GB		WB8SJ032G-JACMC/C	WB8SJ032G-JFCTM-C	
	64GB		WB8SJ064G-JACMC/C	WB8SJ064G-JFCTM-C	
	128GB		NA	WB8SJ128G-JFCTM-C	

1. Comparison of changed labels

1.8" Slim Lite SATA II SSD	Before Change	After Change
	Standard Grade / Industrial Grade	Standard Grade / Industrial Grade
SLC	<p><b>APRO Co., Ltd</b>                      P/N:WB8SJ032G-JAISI                      L/N:300588_0002A_2B211                      Assembled in Taiwan</p> 	<p><b>APRO Co., Ltd</b>                      P/N:WB8SJ032G-JFITI                      L/N:2K8612_0001A_25065                      S/N:14407001#1-0001                      Assembled in Taiwan</p> 
	Standard Grade / Industrial Grade	Standard Grade /Wide Temperature
MLC	<p><b>APRO Co., Ltd</b>                      P/N:WB8SJ064G-JACMC -C                      L/N:940045_0001A_2B211                      Assembled in Taiwan</p> 	<p><b>APRO Co., Ltd</b>                      P/N:WB8SJ032G-JFCTM -C                      L/N:2K8612_0001A_05W12                      S/N:14407001#1-0001                      Assembled in Taiwan</p> 

Remarks:

- Serial Number added and unique Serial Number for each piece in same lot.