



Industrial  
Micro Secure Digital  
Memory Card  
PHANES-F Series

**Product Specification**

INDUSTRIAL

Micro Secure Digital Memory Card

Version 01V0

Document No. 100-xPMSD-PFTS

November 2016

**APRO CO., LTD.**

Phone: +88628226-1539

Fax: +88628226-1389

This document is for information use only and is **subject to change without prior notice**. APRO Co., Ltd. assumes no responsibility for any errors that may appear in this document, nor for incidental or consequential damages resulting from the furnishing, performance or use of this material. No part of this document may be reproduced, transmitted, transcribed, stored in a retrievable manner or translated into any language or computer language, in any form or by any means, electronic, mechanical, magnetic, optical, chemical, manual or otherwise, without the prior written consent of an officer of APRO Co., Ltd.

All parts of the APRO documentation are protected by copyright law and all rights are reserved.

APRO and the APRO logo are registered trademarks of APRO Co., Ltd.

Product names mentioned herein are for identification purposes only and may be trademarks and/or registered trademarks of their respective companies.

© 2016 APRO Corporation. All rights reserved.

#### Revision History

Revision	Description	Date
1.0	Initial release	2016/11/25

CONTENTS

**1. INTRODUCTION..... - 2 -**

**1.1. SCOPE..... - 2 -**

**1.2. SYSTEM FEATURES..... - 2 -**

**1.3. FLASH MANAGEMENT TECHNOLOGY - STATIC AND DYNAMIC WEAR LEVELING ..... - 2 -**

**2. PRODUCT SPECIFICATIONS ..... - 3 -**

**2.1. SYSTEM ENVIRONMENTAL SPECIFICATIONS..... - 3 -**

**2.2. SYSTEM POWER REQUIREMENTS..... - 3 -**

**2.3. SYSTEM PERFORMANCE ..... - 3 -**

**2.4. SYSTEM RELIABILITY ..... - 4 -**

**2.5. PHYSICAL SPECIFICATIONS..... - 4 -**

**3. INTERFACE DESCRIPTION..... - 7 -**

**3.1. APRO MICRO SECURE DIGITAL MEMORY CARD INTERFACE..... - 7 -**

**3.2. PIN ASSIGNMENTS ..... - 7 -**

**APPENDIX A: ORDERING INFORMATION ..... - 8 -**

**1. PART NUMBER LIST ..... - 8 -**

**2. PART NUMBER DECODER: ..... - 8 -**

**APPENDIX B: LIMITED WARRANTY.....9**

## **1. Introduction**

APRO Industrial Micro Secure Digital Memory Card – PHANES-F Series, is specifically designed to meet the security, performance and environmental requirements of some significant applications such like networking, telecommunications and data-communications, mobile & embedded computing, medical instruments and industrial computing applications.

Available capacities are 1GB, 2GB and 4GB with SLC-NAND Toshiba flash IC. APRO Industrial Grade Micro SD Cards include a copyright protection that complies with the security of the SDMI standard, and the physical form-factor, pin assignment.

### **1.1. Scope**

This document describes the key features and specifications of APRO Industrial Grade Micro Secure Digital Memory Cards.

### **1.2. System Features**

- SLC-NAND Flash technology
- Capacities available from 1GB, 2GB and 4GB
- Supports SD3.0 (Backward compatible to 2.0 host) Class 2/4/6/10
- SD Memory Card Specifications, Part 1 Physical Layer Specification, version 3.1 Final
- SD Memory Card Specifications, Part 3, Security Specification, Version 3.0 Final
- 8 exposed contacts on one side
- Supports industrial grade operating temperature -40°C to +85°C
- Supports SD mode and SPI mode
- Supports CPRM
- 1GB and 2GB are Non-UHS
- 4GB supports UHS-1
- 1GB and 2GB high Speed Mode performance, sequential read up to 20.0 MB/sec; sequential write up to 20.0 MB/sec
- 4GB performance, up to 30 MB/sec; sequential write up to 25.0 MB/sec
- RoHS & REACH compliant

### **1.3. Flash Management Technology - Static and Dynamic Wear Leveling**

In order to gain the best management for flash memory, APRO PHANES-F Series Micro SD Card supports both Static and Dynamic Wear-leveling technology to manage the Flash system. The life of flash memory is limited; the management is to increase the life of the flash product.

Wear-leveling algorithm evenly distributes data over an entire Flash cell array and searches for the least used physical blocks. The identified low cycled sectors are used to write the data to those locations. If blocks are empty, the write occurs normally. If blocks contain data, it moves that data to a more heavily used location before it moves the newly written data. Wear leveling maximizes effective endurance Flash array compared to no wear leveling products.

## 2. Product Specifications

For all the following specifications, values are defined at ambient temperature and nominal supply voltage unless otherwise stated.

### 2.1. System Environmental Specifications

**Table 1: Environmental Specification**

APRO Micro Secure Digital Memory Card PHANES-F Series		Industrial Grade	
		WPMSDxxxG-PFITI	
Temperature	Operating:	-40°C ~ +85°C	
	Non-operating:	-50°C ~ +95°C	
Humidity	Operating & Non-operating:	10% ~ 95% non-condensing	
Vibration	Operating & Non-operating:	20 Hz to 2K Hz, 20G, 3 axes	
Shock	Operating & Non-operating:	0.5ms, 1500 G, 3 axes	

### 2.2. System Power Requirements

**Table 2: Power Requirement**

APRO Micro Secure Digital Memory Card PHANES-F Series		WPMSDxxxG-PFITI		
		Non-UHS		UHS-I Mode
		Default Speed	High Speed	
DC Input Voltage (VCC)		3.3V±10%		
+3.3V Current (Maximum average value)	Power Up :	250 uA (max.)	250 uA (max.)	250 uA (max.)
	Reading Mode :	150 mA (max.)	200 mA (max.)	400 mA (max.)
	Writing Mode :	150 mA (max.)	200 mA (max.)	400 mA (max.)
	Standby Mode :	1000 uA (max.)	1000 uA (max.)	1000 uA (max.)

### 2.3. System Performance

**Table 3: System Performances**

Data Transfer Mode supporting		SDA Specification Ver 3.0		
Average Access Time		1 ms (estimated)		
Maximum Performance	Capacity	1GB	2GB	4GB
	Sequential Read (MB/s)	20.0	20.0	30.0
	Sequential Write (MB/s)	20.0	20.0	25.0

Note:

(1). All values quoted are typically at 25 °C and nominal supply voltage.

(2). Testing of the Micro Secure Digital Memory Card maximum performance was performed under the following platform:

- Computer with Intel i5 3.5GHz processor
- Windows 7 Professional operating system

2.4. System Reliability

**Table 4: System Reliability**

<b>Wear-leveling Algorithms</b>	Static and Dynamic Wear-leveling
<b>Bad Blocks Management</b>	Supportive
<b>ECC Technology</b>	68 bits per 1024 bytes
<b>Durability</b>	10,000 inserting cycles
<b>Bending</b>	>10N
<b>Torque</b>	0.1N +/- 2.5 deg.
<b>Drop Test</b>	1.5M free fall
<b>Salt Spray Test</b>	3% NaCl @ 35°C
<b>Waterproof</b>	1000mm submerge for 30 minutes, IPx7 compliance
<b>Electrostatic Discharge (ESD)</b>	Contact: +/- 4KV each item 25 times Air: +/- 8KV 10 times
<b>X-Ray Exposure Test</b>	0.1 Gy of medium energy radiation (70 keV to 140keV, cumulative does per year) to both sides of the card.
<b>Endurance</b>	Un-limited Read Cycles Endurance Management enables ten years minimal useful life
<b>Data Retention</b>	10 years

2.5. Physical Specifications

Refer to Table 5 and see Figure 1 for Micro Secure Digital Memory Card PHANES-F Series physical specifications and dimensions.

**Table 5: Physical Specifications of APRO Micro Secure Digital Memory Card PHANES-F Series**

<b>Length:</b>	15.00 mm
<b>Width:</b>	11.00 mm
<b>Thickness:</b>	1.0 mm
<b>Weight:</b>	0.3 g / 0.01 oz

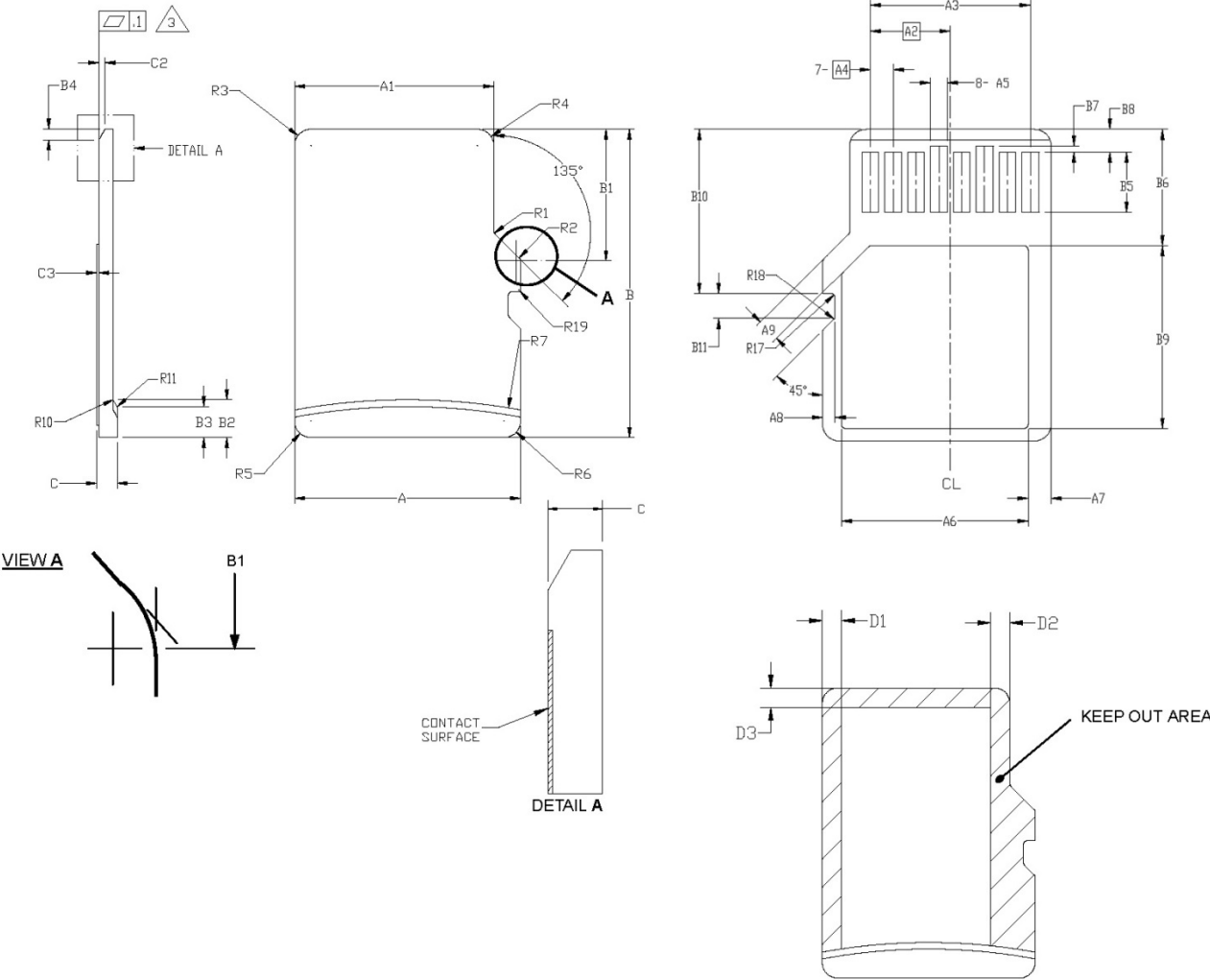



Figure 1: APRO Micro Secure Digital Memory Card Dimension

SYMBOL	COMMON DIMENSIONS			NOTE
	MIN	NOM	MAX	
A	10.90	11.00	11.10	
A1	9.60	9.70	9.80	
A2	-	3.85	-	BASIC
A3	7.60	7.70	7.80	
A4	-	1.10	-	BASIC
A5	0.75	0.80	0.85	
A6	-	-	8.50	
A7	0.90	-	-	
A8	0.60	0.70	0.80	
A9	0.80	-	-	
B	14.90	15.00	15.10	
B1	6.30	6.40	6.50	
B2	1.64	1.84	2.04	
B3	1.30	1.50	1.70	
B4	0.42	0.52	0.62	
B5	2.80	2.90	3.00	
B6	5.50	-	-	
B7	0.20	0.30	0.40	
B8	1.00	1.10	1.20	
B9	-	-	9.00	
B10	7.80	7.90	8.00	
B11	1.10	1.20	1.30	
C	0.90	1.00	1.10	
C1	0.60	0.70	0.80	
C2	0.20	0.30	0.40	
C3	0.00	-	0.15	
D1	1.00	-	-	
D2	1.00	-	-	
D3	1.00	-	-	
R1	0.20	0.40	0.60	
R2	0.20	0.40	0.60	
R3	0.70	0.80	0.90	
R4	0.70	0.80	0.90	
R5	0.70	0.80	0.90	
R6	0.70	0.80	0.90	
R7	29.50	30.00	30.50	
R10	-	0.20	-	
R11	-	0.20	-	
R17	0.10	0.20	0.30	
R18	0.20	0.40	0.60	
R19	0.05	-	0.20	

Notes:

1. DIMENSIONING AND TOLERANCING PER ASME Y14.5M-1994.

2. DIMENSIONS ARE IN MILLIMETERS.

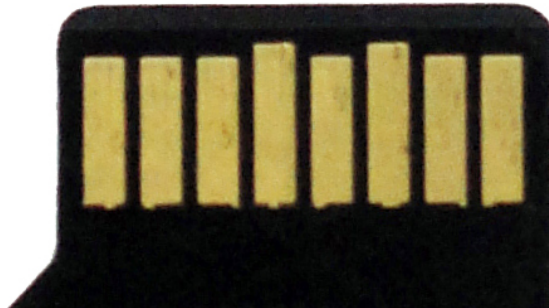
3.  COPLANARITY IS ADDITIVE TO C1 MAX THICKNESS.



**3. Interface Description**

**3.1. APRO Micro Secure Digital Memory Card interface**

APRO Industrial Grade Micro Secure Digital Memory Card has eight exposed contacts on one side.



**Figure 2: 8 Pins Connector**

**3.2. Pin Assignments**

There are total of 8 pins in the Micro SD Connector. The pin assignments are listed in below table 6.

**Table 6 - Pin Assignments**

Pin Number	SD Mode			SPI Mode		
	Pin Name	Type <sup>1</sup>	Description	Pin Name	Type	Description
Pin 1	DAT2	I/O/PP	Data Line [bit2]	RSV		
Pin 2	CD / DAT3 <sup>2</sup>	I/O/PP <sup>3</sup>	Card Detect / Data Line [bit3]	CS	I <sup>3</sup>	Chip Select
Pin 3	CMD	PP	Command / Response	DI	I	Data in
Pin 4	V <sub>DD</sub>	S	Supply voltage	V <sub>DD</sub>	S	Supply voltage
Pin 5	CLK	I	Clock	SCLK	I	Clock
Pin 6	V <sub>SS</sub>	S	Supply voltage ground	V <sub>SS</sub>	S	Supply voltage ground
Pin 7	DAT0	I/O/PP	Data Line [bit0]	DO	O/PP	Data Out
Pin 8	DAT1	I/O/PP	Data Line [bit1]	RSV		

(1) S: power supply, I:input; O:output using push-pull drivers; PP:I/O using push-pull drivers.


(2) The extended DAT lines (DAT1-DAT3) are input on power up. They start to operate as DAT lines after SET\_BUS\_WIDTH command. The Host shall keep its own DAT1-DAT3 lines in input mode, as well, while they are not used. It is defined so, in order to keep compatibility to Multi-Media Cards.

(3) At power up this line has a 50KOhm pull up enabled in the card. This resistor serves two functions Card detection and Mode Selection. For Mode Selection, the host can drive the line high or let it be pulled high to select SD mode. If the host wants to select SPI mode it should drive the line low. For Card detection, the host detects that the line is pulled high. This pull-up should be disconnected by the user during regular data transfer period, with SET\_CLR\_CARD\_DETECT(ACMD42) command.

## Appendix A: Ordering Information

### 1. Part Number List

#### ◆ APRO Micro Secure Digital Memory Card – PHANES-F Series

Product Picture	Grade	Industrial Grade ( -40°C ~ +85°C )
	1GB	WPMSD001G-PFITI
	2GB	WPMSD002G-PFITI
	4GB	WPMSD004G-PFITI

### 2. Part Number Decoder:

X1 X2 X3 X4 X5 X6 X7 X8 X9 – X11 X12 X13 X14 X15

#### X1 : Grade

W: Industrial grade - operating temp. -40° C ~ +85 ° C

#### X2 : The material of case

P : Plastic casing

#### X3 X4 X5 : Product category

MSD : Micro Secure Digital (SD) memory card

#### X6 X7 X8 X9 : Capacity

001G: 1GB                      004G: 4GB

002G: 2GB

#### X11 : Controller

P : Phison (PHANES-F Series)

#### X12 : Controller version

A, B, C.....

#### X13 : Controller Grade

I : Industrial grade

#### X14 : Flash IC

T : Toshiba SLC-NAND Flash IC

#### X15 : Flash IC grade / Type

I : Industrial grade

## Appendix B: Limited Warranty

---

### **Appendix B: Limited Warranty**

APRO warrants your Micro Secure Digital Memory Card against defects in material and workmanship for the life of the drive. The warranty is void in the case of misuse, accident, alteration, improper installation, misapplication or the result of unauthorized service or repair. The implied warranties of merchantability and fitness for a particular purpose, and all other warranties, expressed or implied, except as set forth in this warranty, shall not apply to the products delivered. In no event shall APRO be liable for any lost profits, lost savings or other incidental or consequential damages arising out of the use of, or inability to use, this product.

**BEFORE RETURNING PRODUCT, A RETURN MATERIAL AUTHORIZATION (RMA) MUST BE OBTAINED FROM APRO.**

Product shall be returned to APRO with shipping prepaid. If the product fails to conform based on customers' purchasing orders, APRO will reimburse customers for the transportation charges incurred.

#### **WARRANTY PERIOD:**

- SLC IND. Grade      5 years / Within 60K Erasing Counts

***The warranty period is able to extend. Please contact APRO and/or Your APRO distributors for more information.***