



MLC

Micro Secure Digital
Memory Card

PHANES-F Series

Product Specification

MLC

Micro Secure Digital Memory Card

Version 02V1

Document No. 100-xPMSD-PFITMB

MAY 2017

APRO CO., LTD.

Phone: +88628226-1539

Fax: +88628226-1389

This document is for information use only and is **subject to change without prior notice**. APRO Co., Ltd. assumes no responsibility for any errors that may appear in this document, nor for incidental or consequential damages resulting from the furnishing, performance or use of this material. No part of this document may be reproduced, transmitted, transcribed, stored in a retrievable manner or translated into any language or computer language, in any form or by any means, electronic, mechanical, magnetic, optical, chemical, manual or otherwise, without the prior written consent of an officer of APRO Co., Ltd.

All parts of the APRO documentation are protected by copyright law and all rights are reserved.

APRO and the APRO logo are registered trademarks of APRO Co., Ltd.

Product names mentioned herein are for identification purposes only and may be trademarks and/or registered trademarks of their respective companies.

© 2014 APRO Corporation. All rights reserved.

Revision History

Revision	Description	Date
1.0	Initial release	2015/06/12
2.0	Flash IC upgrade to 15nm	2016/03/21
2.1	Add 128GB microSDXC capacity	2017/5/18

CONTENTS

1. INTRODUCTION	- 4 -
1.1. SCOPE	- 4 -
1.2. SYSTEM FEATURES	- 4 -
1.3. FLASH MANAGEMENT TECHNOLOGY - STATIC AND DYNAMIC WEAR LEVELING	- 4 -
2. PRODUCT SPECIFICATIONS	- 5 -
2.1. SYSTEM ENVIRONMENTAL SPECIFICATIONS	- 5 -
2.2. SYSTEM POWER REQUIREMENTS	- 5 -
2.3. SYSTEM PERFORMANCE	- 5 -
2.4. SYSTEM RELIABILITY	- 6 -
2.5. PHYSICAL SPECIFICATIONS	- 7 -
1. INTERFACE DESCRIPTION	- 9 -
1.1. APRO MICRO SECURE DIGITAL MEMORY CARD INTERFACE	- 9 -
1.2. PIN ASSIGNMENTS	- 9 -
APPENDIX A: ORDERING INFORMATION	- 10 -
1. PART NUMBER LIST	- 10 -
2. PART NUMBER DECODER:	- 10 -
APPENDIX B: LIMITED WARRANTY	11

1. Introduction

APRO MLC Micro Secure Digital Memory Card – PHANES-F Series, is specifically designed to meet the security, performance and environmental requirements of some significant applications such like networking, telecommunications and data-communications, mobile & embedded computing, medical instruments and industrial computing applications.

Available capacities are 8GB, 16GB, 32GB of microSDHC, and 64GB, 128GB of microSDXC with 15nm MLC-NAND Toshiba flash IC. APRO MLC Micro SD Cards include a copyright protection that complies with the security of the SDMI standard, and the physical form-factor, pin assignment.

1.1. Scope

This document describes the key features and specifications of APRO MLC Micro Secure Digital Memory Cards.

1.2. System Features

- MLC-NAND Flash technology
- Capacities available from 8GB to 128GB
- Supports SD command Class 2/4/6/10
- Supports UHS-1 (Grade-3)Bus Speed Mode
- SD Memory Card Specifications, Part 1 Physical Layer Specification, version 3.1 Final
- SD Memory Card Specifications, Part 3, Security Specification, Version 3.0 Final
- 8 exposed contacts on one side
- Supports wide temp grade operating temperature -40°C to +85°C
- Supports SD mode and SPI mode
- Supports CPRM
- Supports Power Loss Protection function.
- Performance up to Read: 99.8 MB/sec; Write up to 92.9 MB/sec
- RoHS & REACH compliant

1.3. Flash Management Technology - Static and Dynamic Wear Leveling

In order to gain the best management for flash memory, APRO PHANES-F Series Micro SD Card supports both Static and Dynamic Wear-leveling technology to manage the Flash system. The life of flash memory is limited; the management is to increase the life of the flash product.

Wear-leveling algorithm evenly distributes data over an entire Flash cell array and searches for the least used physical blocks. The identified low cycled sectors are used to write the data to those locations. If blocks are empty, the write occurs normally. If blocks contain data, it moves that data to a more heavily used location before it moves the newly written data. Wear leveling maximizes effective endurance Flash array compared to no wear leveling products.

2. Product Specifications

For all the following specifications, values are defined at ambient temperature and nominal supply voltage unless otherwise stated.

2.1. System Environmental Specifications

Table 1: Environmental Specification

APRO Micro Secure Digital Memory Card PHANES-F Series		Wide temp Grade
		WPMSDxxxG-PFITMB
Temperature	Operating:	-40°C ~ +85°C
	Non-operating:	-50°C ~ +95°C
Humidity	Operating & Non-operating:	10% ~ 95% non-condensing
Vibration	Operating & Non-operating:	20 Hz to 2K Hz, 20G, 3 axes
Shock	Operating & Non-operating:	0.5ms, 1500 G, 3 axes

2.2. System Power Requirements

Table 2: Power Requirement

APRO Micro Secure Digital Memory Card PHANES-F Series		Wide temp Grade
		WPMSDxxxG-PFITMB
DC Input Voltage (VCC)		3.3V±10%
+3.3V Current (Maximum average value)	Reading Mode :	< 400 mA (UHS-I Mode.)
	Writing Mode :	< 400 mA (UHS-I Mode.)
	Idle Mode :	< 1000 uA (UHS-I Mode.)
	Power up:	< 250 uA (max.)

2.3. System Performance

Table 3: System Performances

Data Transfer Mode supporting		SDA Specification Ver 3.0				
Capacity level		microSDHC			microSDXC	
Speed level		UHS-1 (Grade-1)	UHS-1 (Grade-3)		UHS-1 (Grade-3)	
Maximum Performance	Capacity	8GB	16GB	32GB	64GB	128GB
	Sequential Read (MB/s)	92.8	96.3	95.0	99.8	99.8
	Sequential Write (MB/s)	27.8	56.2	92.6	92.9	92.7

Note:

(1). All values quoted are typically at 25 °C and nominal supply voltage.

(2). Testing of the Micro Secure Digital Memory Card maximum performance was performed under the following platform:

- TestMetrix Test system
- 500MB file test

2.4. System Reliability

Table 4: System Reliability

Wear-leveling Algorithms	Static and Dynamic Wear-leveling
Bad Blocks Management	Supportive
ECC Technology	BCH ECC
Durability	10,000 inserting cycles
Bending	>10N
Torque	0.1N +/- 2.5 deg.
Drop Test	1.5M free fall
Salt Spray Test	3% NaCl @ 35°C
Waterproof	1000mm submerge for 30 minutes, IPx7 compliance
Electrostatic Discharge (ESD)	Contact: +/- 4KV each item 25 times Air: +/- 8KV 10 times
X-Ray Exposure Test	0.1 Gy of medium energy radiation (70 keV to 140keV, cumulative does per year) to both sides of the card.
Endurance	Un-limited Read Cycles Endurance Management enables ten years minimal useful life
Data Retention	10 years

2.5. Physical Specifications

Refer to Table 5 and see Figure 1 for Micro Secure Digital Memory Card PHANES-F Series physical specifications and dimensions.

Table 5: Physical Specifications of APRO Micro Secure Digital Memory Card PHANES-F Series

Length:	15.00 mm
Width:	11.00 mm
Thickness:	1.0 mm
Weight:	0.3 g / 0.01 oz

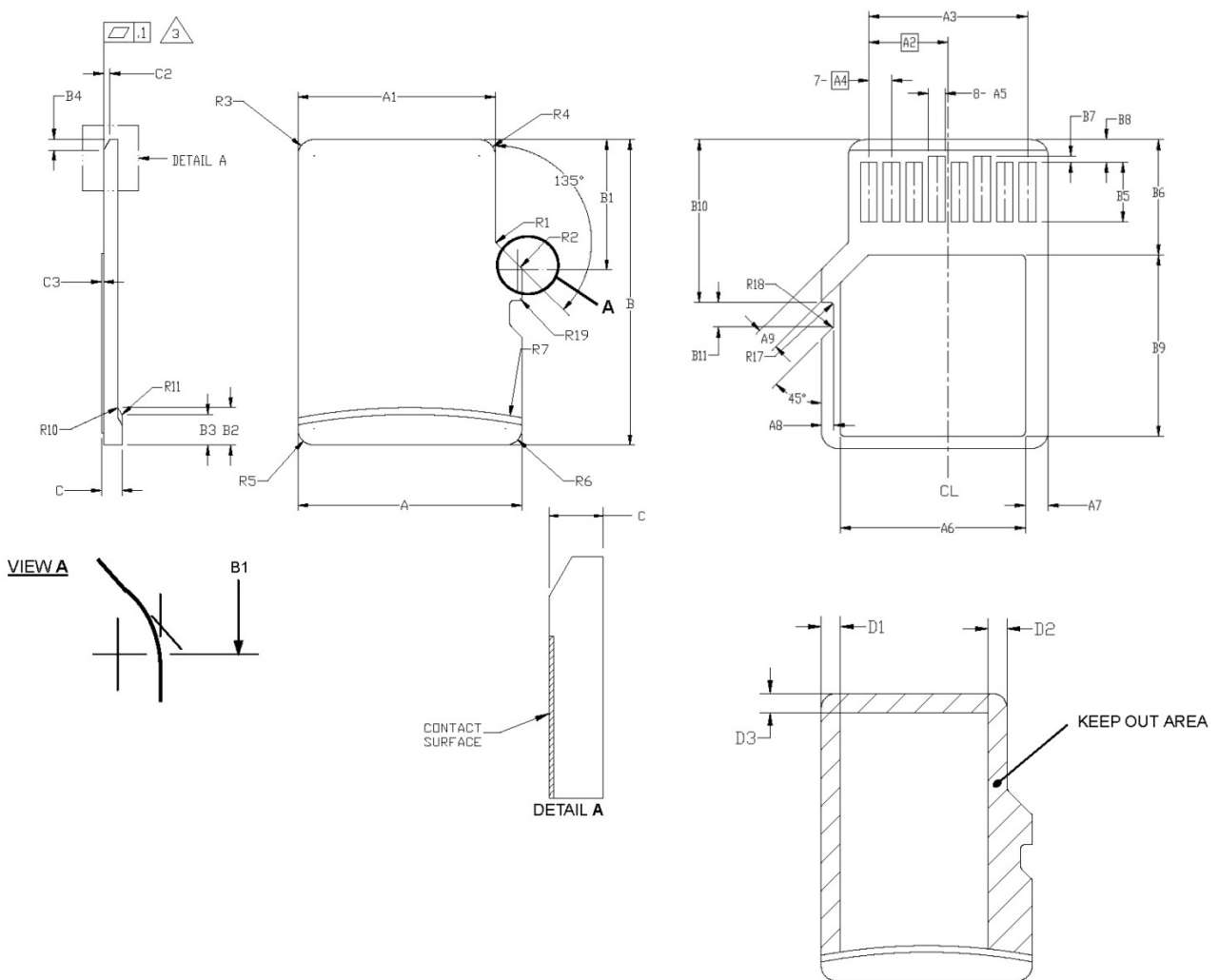


Figure 1: APRO Micro Secure Digital Memory Card Dimension

SYMBOL	COMMON DIMENSIONS			NOTE
	MIN	NOM	MAX	
A	10.90	11.00	11.10	
A1	9.60	9.70	9.80	
A2	-	3.85	-	BASIC
A3	7.60	7.70	7.80	
A4	-	1.10	-	BASIC
A5	0.75	0.80	0.85	
A6	-	-	8.50	
A7	0.90	-	-	
A8	0.60	0.70	0.80	
A9	0.80	-	-	
B	14.90	15.00	15.10	
B1	6.30	6.40	6.50	
B2	1.64	1.84	2.04	
B3	1.30	1.50	1.70	
B4	0.42	0.52	0.62	
B5	2.80	2.90	3.00	
B6	5.50	-	-	
B7	0.20	0.30	0.40	
B8	1.00	1.10	1.20	
B9	-	-	9.00	
B10	7.80	7.90	8.00	
B11	1.10	1.20	1.30	
C	0.90	1.00	1.10	
C1	0.60	0.70	0.80	
C2	0.20	0.30	0.40	
C3	0.00	-	0.15	
D1	1.00	-	-	
D2	1.00	-	-	
D3	1.00	-	-	
R1	0.20	0.40	0.60	
R2	0.20	0.40	0.60	
R3	0.70	0.80	0.90	
R4	0.70	0.80	0.90	
R5	0.70	0.80	0.90	
R6	0.70	0.80	0.90	
R7	29.50	30.00	30.50	
R10	-	0.20	-	
R11	-	0.20	-	
R17	0.10	0.20	0.30	
R18	0.20	0.40	0.60	
R19	0.05	-	0.20	

Notes:

1. DIMENSIONING AND TOLERANCING PER ASME Y14.5M-1994.

2. DIMENSIONS ARE IN MILLIMETERS.

3. COPLANARITY IS ADDITIVE TO C1 MAX THICKNESS.

1. Interface Description

1.1. APRO Micro Secure Digital Memory Card interface

APRO MLC Micro Secure Digital Memory Card has eight exposed contacts on one side.

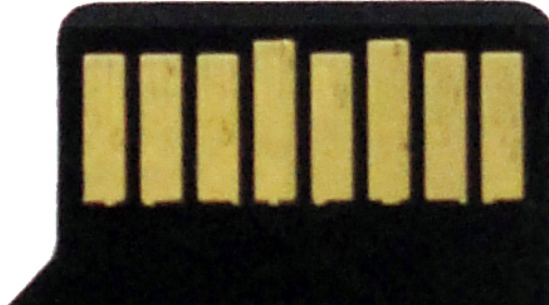


Figure 2: 8 Pins Connector

1.2. Pin Assignments

There are total of 8 pins in the Micro SD Connector. The pin assignments are listed in below table 6.

Table 6 - Pin Assignments

Pin Number	SD Mode			SPI Mode		
	Pin Name	Type ¹	Description	Pin Name	Type	Description
Pin 1	DAT2	I/O/PP	Data Line [bit2]	RSV		
Pin 2	CD / DAT3 ²	I/O/PP ³	Card Detect / Data Line [bit3]	CS	I ³	Chip Select
Pin 3	CMD	PP	Command / Response	DI	I	Data in
Pin 4	V _{DD}	S	Supply voltage	V _{DD}	S	Supply voltage
Pin 5	CLK	I	Clock	SCLK	I	Clock
Pin 6	V _{SS}	S	Supply voltage ground	V _{SS}	S	Supply voltage ground
Pin 7	DAT0	I/O/PP	Data Line [bit0]	DO	O/PP	Data Out
Pin 8	DAT1	I/O/PP	Data Line [bit1]	RSV		

(1) S: power supply, I:input; O:output using push-pull drivers; PP:I/O using push-pull drivers.


(2) The extended DAT lines (DAT1-DAT3) are input on power up. They start to operate as DAT lines after SET_BUS_WIDTH command. The Host shall keep its own DAT1-DAT3 lines in input mode, as well, while they are not used. It is defined so, in order to keep compatibility to Multi-Media Cards.

(3) At power up this line has a 50KOhm pull up enabled in the card. This resistor serves two functions Card detection and Mode Selection. For Mode Selection, the host can drive the line high or let it be pulled high to select SD mode. If the host wants to select SPI mode it should drive the line low. For Card detection, the host detects that the line is pulled high. This pull-up should be disconnected by the user during regular data transfer period, with SET_CLR_CARD_DETECT(ACMD42) command.

Appendix A: Ordering Information

1. Part Number List

◆ **APRO Micro Secure Digital Memory Card – PHANES-F Series**

Product Picture	Grade	Wide temp Grade (-40°C ~ +85°C)
 <p>APRO Co., Ltd. MLC 64GB microSDXC I</p>	8GB	WPMSD008G-PFITMB
	16GB	WPMSD016G-PFITMB
	32GB	WPMSD032G-PFITMB
	64GB	WPMSD064G-PFITMB
	128GB	WPMSD128G-PFITMB

2. Part Number Decoder:

X1 X2 X3 X4 X5 X6 X7 X8 X9 — X11 X12 X13 X14 X15 X16

X1 : Grade

W: Wide Temp Grade- operating temp. -40° C ~ +85 ° C

X12 : Controller version

A, B, C.....

X2 : The material of case

P : Plastic casing

X13 : Controller Grade

I : Industrial grade

X3 X4 X5 : Product category

MSD : Micro Secure Digital (SD) memory card

X14 : Flash IC

T : Toshiba Flash IC

X6 X7 X8 X9 : Capacity

008G:	8GB	064G:	64GB
016G:	16GB	128G:	128GB
032G:	32GB		

X15 : Flash IC grade

M : MLC-NAND Flash

X16 : Generation

B : 15 nm

X11 : Controller

P : PHANES Series

Appendix B: Limited Warranty

APRO warrants your Micro Secure Digital Memory Card against defects in material and workmanship for the life of the drive. The warranty is void in the case of misuse, accident, alteration, improper installation, misapplication or the result of unauthorized service or repair. The implied warranties of merchantability and fitness for a particular purpose, and all other warranties, expressed or implied, except as set forth in this warranty, shall not apply to the products delivered. In no event shall APRO be liable for any lost profits, lost savings or other incidental or consequential damages arising out of the use of, or inability to use, this product.

BEFORE RETURNING PRODUCT, A RETURN MATERIAL AUTHORIZATION (RMA) MUST BE OBTAINED FROM APRO.

Product shall be returned to APRO with shipping prepaid. If the product fails to conform based on customers' purchasing orders, APRO will reimburse customers for the transportation charges incurred.

WARRANTY PERIOD:

- **MLC (Standard grade / Wide temp. grade) 2 years / Within 3K Erasing Counts**

The warranty period is able to extend. Please contact APRO and/or Your APRO distributors for more information.