



1.8" Slim Lite SATA III SLC SSD

HERMES-HR Series

Product Specification

INDUSTRIAL

APRO 1.8" Slim Lite SATA III SLC SSD

Supports DDRIII SDRAM CACHE

Version 01V0

Document No. 100-xB8RJ-JHTS

June 2014

APRO CO., LTD.

Phone: +88628226-1539

Fax: +88628226-1389

This document is for information use only and is **subject to change without prior notice**. APRO Co., Ltd. assumes no responsibility for any errors that may appear in this document, nor for incidental or consequential damages resulting from the furnishing, performance or use of this material. No part of this document may be reproduced, transmitted, transcribed, stored in a retrievable manner or translated into any language or computer language, in any form or by any means, electronic, mechanical, magnetic, optical, chemical, manual or otherwise, without the prior written consent of an officer of APRO Co., Ltd.

All parts of the APRO documentation are protected by copyright law and all rights are reserved.

APRO and the APRO logo are registered trademarks of APRO Co., Ltd.

Product names mentioned herein are for identification purposes only and may be trademarks and/or registered trademarks of their respective companies.

© 2014 APRO Corporation. All rights reserved.

Revision History

Revision	Description	Date
1.0	Initial release	2014/6/13

CONTENTS

1. INTRODUCTION.....	- 2 -
1.1. SCOPE.....	- 3 -
1.2. SYSTEM FEATURES.....	- 3 -
1.3. FLASH MANAGEMENT TECHNOLOGY - STATIC WEAR LEVELING.....	- 3 -
1.4. DRAM BUFFER.....	- 3 -
2. PRODUCT SPECIFICATIONS.....	- 4 -
2.1. SYSTEM ENVIRONMENTAL SPECIFICATIONS.....	- 4 -
2.2. SYSTEM POWER REQUIREMENTS.....	- 4 -
2.3. SYSTEM PERFORMANCE.....	- 4 -
2.4. SYSTEM RELIABILITY.....	- 5 -
2.5. PHYSICAL SPECIFICATIONS.....	- 5 -
2.5.1. CONFORMAL COATING.....	- 7 -
3. INTERFACE DESCRIPTION.....	- 7 -
3.1. APRO 1.8" SLIM LITE SATA III SLC SSD INTERFACE.....	- 7 -
3.2. PIN ASSIGNMENTS.....	- 8 -
APPENDIX A: ORDERING INFORMATION.....	- 9 -
1. PART NUMBER LIST.....	- 9 -
2. PART NUMBER DECODER:.....	- 9 -
APPENDIX B: LIMITED WARRANTY.....	10

1. Introduction

APRO 1.8" Slim Lite SATA III SLC SSD – HERMES-HR Series provides high capacity flash memory Solid State Drive (SSD) that electrically complies with Serial ATA 3.0 (SATA) standard. APRO 1.8" Slim Lite SATA III SLC SSD – HERMES-HR Series support SATA Gen-III (6.0 GB/s) with high performance. The main used flash memories are SLC-NAND type flash memory chips. The available disk capacities are 8GB, 16GB, 32GB, 64GB and 128GB.

The operating temperature grade is optional for Standard grade 0°C ~ 70°C and wide temp grade supports -40°C ~ +85°C. The data transfer performance by sequential read is up to 540.3 MB/sec, and sequential write is up to 348.8 MB/sec.

APRO 1.8" Slim Lite SATA III SLC SSD with built-in DDRIII 2Gbits SDRAM products provides a high level interface to the host computer. This interface allows a host computer to issue commands to the 1.8" Slim Lite SATA III SLC SSD to read or write blocks of memory. Each sector is protected by a powerful 40 bits per 1024 bytes error correction (ECC). APRO 1.8" Slim Lite SATA III SLC SSD HERMES-HR Series intelligent controller manages interface protocols, data storage and retrieval as well as ECC, defect handling and diagnostics, power management and clock control.

Figure 1 shows a block diagram of the used high tech 1.8" Slim Lite SATA III SLC SSD controller.

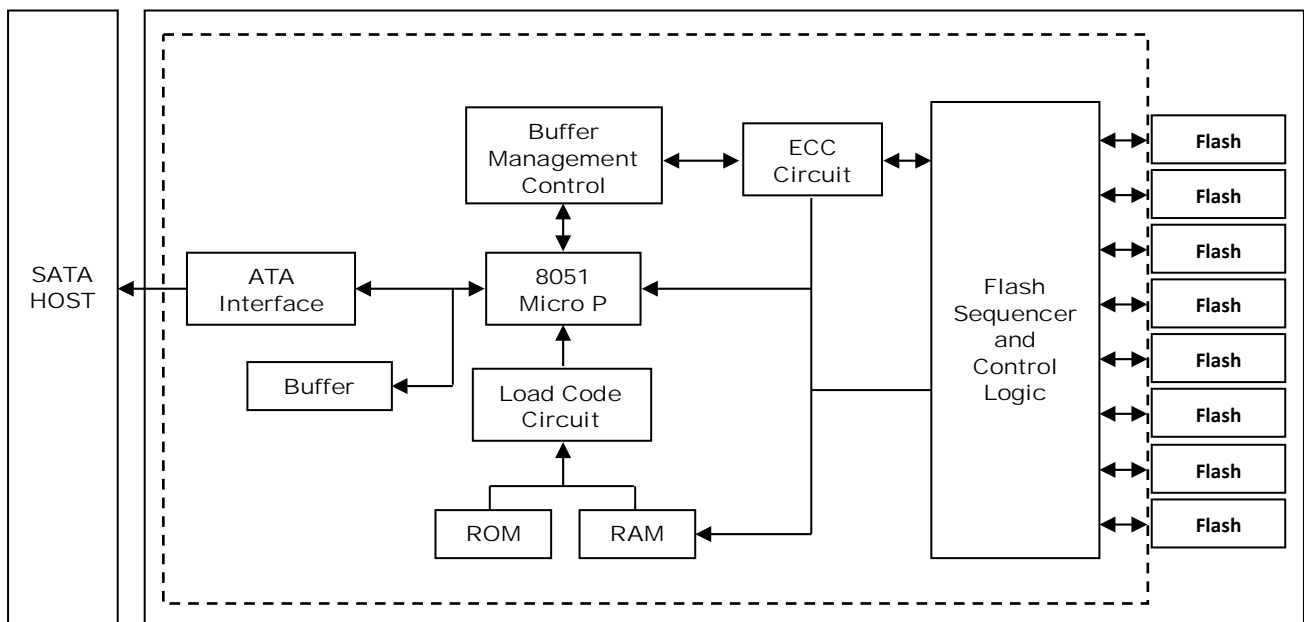


Figure 1: APRO 1.8" Slim Lite SATA III SLC SSD HERMES-HR Series controller block diagram

1.1. Scope

This document describes features, specifications and installation guide of APRO's 1.8" Slim Lite SATA III SLC SSDs – HERMES-HR Series. In the appendix, there provides order information, warranty policy, RMA/DOA procedure for the most convenient reference.

1.2. System Features

- SLC-NAND type flash technology
- 1.8" form factor compatible with JEDEC Standard : MO-297A physical specification
- SATA 7-pin (data) + 15-pin (power connector) SATA Interface
- Bare PCBA without casing in 5.45 mm height
- SATA 1.0a, SATA 2.6 and SATA 3.0 specification compliance
- SMART (Self-Monitoring, Analysis and Reporting Technology) function supported.
- Non-volatile memory and no moving parts
- SLC Flash SSD standard grade capacity from 8GB up to 128GB
- Sequential read performance up to 540.3 MB/sec
- Sequential write performance up to 348.8 MB/sec
- Automatic 40 bits per 1024 bytes error correction (ECC) and retry capabilities
- +5 V $\pm 5\%$ operation
- Shock : 0.5ms, 1500 G, 3 axes
- Vibration : 7 Hz to 2K Hz, 20G, 3 axes
- Very high performance, very low power consumption
- Standard grade supports operating temperature 0°C to +70°C, and Industrial Grade, -40°C to +85°C

1.3. Flash Management Technology - Static Wear Leveling

In order to gain the best management for flash memory, APRO 1.8" Slim Lite SATA III SLC SSD HERMES-HR Series supports Static Wear-leveling technology to manage the Flash system. The life of flash memory is limited; the management is to increase the life of the flash product.

A static wear-leveling algorithm evenly distributes data over an entire Flash cell array and searches for the least used physical blocks. The identified low cycled sectors are used to write the data to those locations. If blocks are empty, the write occurs normally. If blocks contain static data, it moves that data to a more heavily used location before it moves the newly written data. The static wear leveling maximizes effective endurance Flash array compared to no wear leveling or dynamic wear leveling.

1.4. DRAM Buffer

SSDs designed with a DDRIII SDRAM buffer which is support high transfer rate as a data buffer for the SSD; SSD with SDRAM buffer is able to deliver excellent random data transfer speed.

2. Product Specifications

For all the following specifications, values are defined at ambient temperature and nominal supply voltage unless otherwise stated.

2.1. System Environmental Specifications

Table 1: Environmental Specification

APRO 1.8" Slim Lite SATA III SLC SSD HERMES-HR Series		Standard Grade SB8RJxxxG-JHCTC	Industrial Grade WB8RJxxxG-JHITI
Temperature	Operating:	0°C ~ +70°C	-40°C ~ +85°C
	Non-operating:	-20°C ~ +80°C	-50°C ~ +95°C
Humidity	Operating & Non-operating:	10% ~ 95% non-condensing	
Vibration	Operating & Non-operating:	7 Hz to 2K Hz, 20G, 3 axes	
Shock	Operating & Non-operating:	0.5ms, 1500 G, 3 axes	

2.2. System Power Requirements

Table 2: Power Requirement

APRO 1.8" Slim Lite SATA III SLC SSD HERMES-HR Series		Standard Grade SB8RJxxxG-JHCTC
DC Input Voltage (VCC) 100mV max. ripple(p-p)		5V±5%
+5V Current (Maximum average value)	Reading Mode :	330 (max.)
	Writing Mode :	320 (max.)
	Idle Mode :	180 (max.)

2.3. System Performance

Table 3: System Performances

Data Transfer Mode supporting		Serial ATA Gen-III (6.0Gb/s = 768MB/s)				
Average Access Time		0.1 ms (estimated)				
Maximum Performance	Capacity	8GB	16GB	32GB	64GB	128GB
	Sequential Read (MB/s)	448.4	453.8	486.9	539.2	540.3
	Sequential Write(MB/s)	115.3	129.7	238.4	348.6	348.8

Note:

(1). All values quoted are typically at 25°C and nominal supply voltage.

(2). Testing of the 1.8" Slim Lite SATA III SLC SSD maximum performance was performed under the following platform:

- Computer with AMD 3.0GHz processor

- Windows XP Professional operating system

2.4. System Reliability

Table 4: System Reliability

Wear-leveling Algorithms	Static Wear-leveling
Bad Blocks Management	Supportive
ECC Technology	40 bits per 1024 bytes
Endurance	Un-limited Read Cycles Endurance Management enables five years minimal useful life
Data Retention	10 years

2.5. Physical Specifications

Refer to Table 5 and see Figure 3 for 1.8" Slim Lite SATA III SLC SSD HERMES-HR Series physical specifications and dimensions.

Table 5: Physical Specifications of APRO 1.8" Slim Lite SATA III SLC SSD-HERMES-HR Series

Length:	39.00 mm / 1.53 in
Width:	54.00 mm / 2.13 in
Thickness:	5.45 mm / 0.21 in
Weight:	15.00 g / 0.53 oz

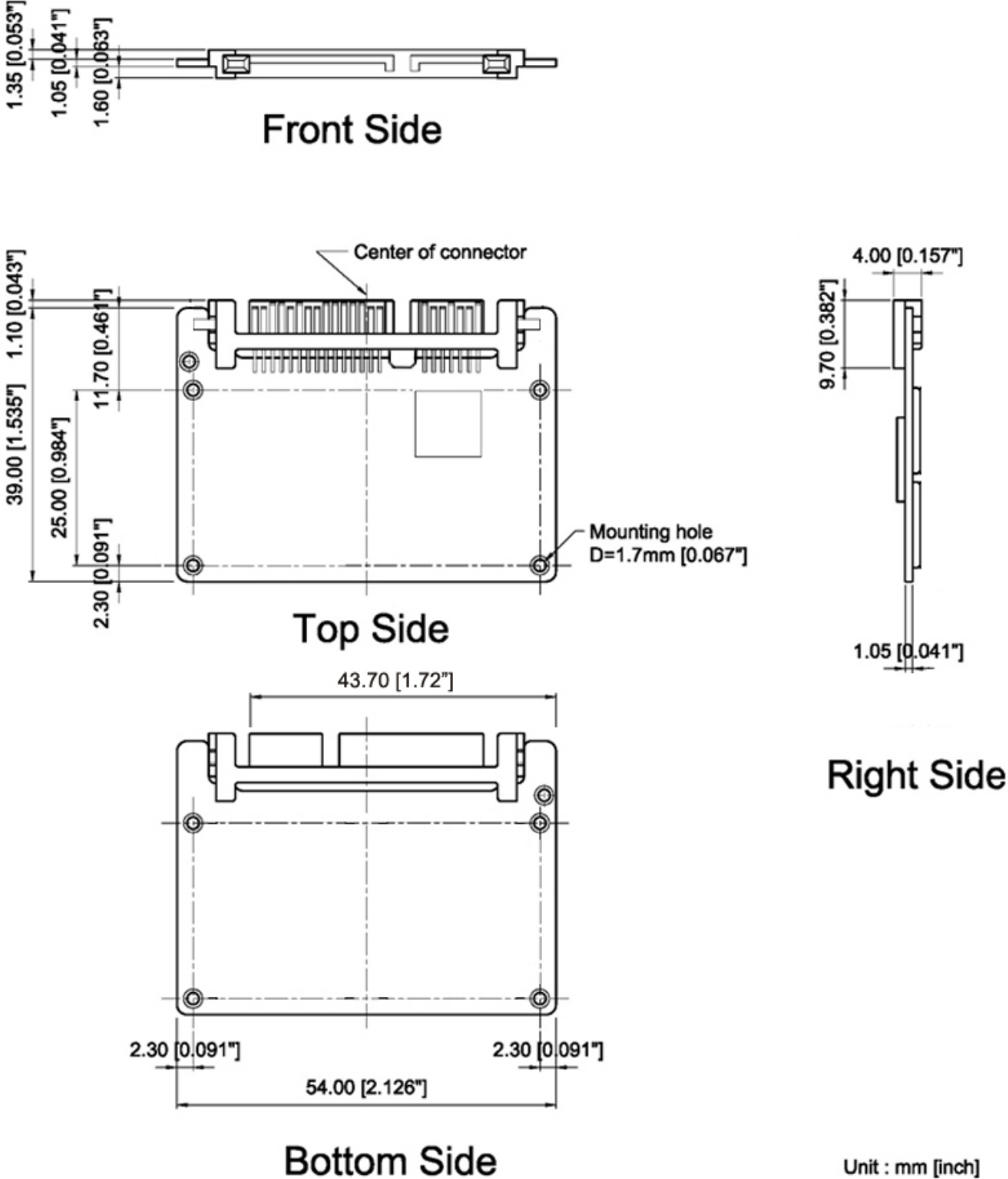


Figure 2: APRO 1.8" Slim Lite SATA III SLC SSD Dimension

2.5.1. Conformal coating

Conformal coating is a protective, dielectric coating designed to conform to the surface of an assembled printed circuit board. Commonly used conformal coatings include silicone, acrylic, urethane and epoxy. APRO applies only silicone on APRO storage products upon requested especially by customers. The type of silicone coating features good thermal shock resistance due to flexibility. It is also easy to apply and repair.

Conformal coating offers protection of circuitry from moisture, fungus, dust and corrosion caused by extreme environments. It also prevents damage from those Flash storages handling during construction, installation and use, and reduces mechanical stress on components and protects from thermal shock. The greatest advantage of conformal coating is to allow greater component density due to increased dielectric strength between conductors.

APRO uses MIL-I-46058C silicon conformal coating

3. Interface Description

3.1. APRO 1.8" Slim Lite SATA III SLC SSD interface

APRO 1.8" Slim Lite SATA III SLC SSD is equipped with standard 7 pins + 15 pins Serial ATA connector.

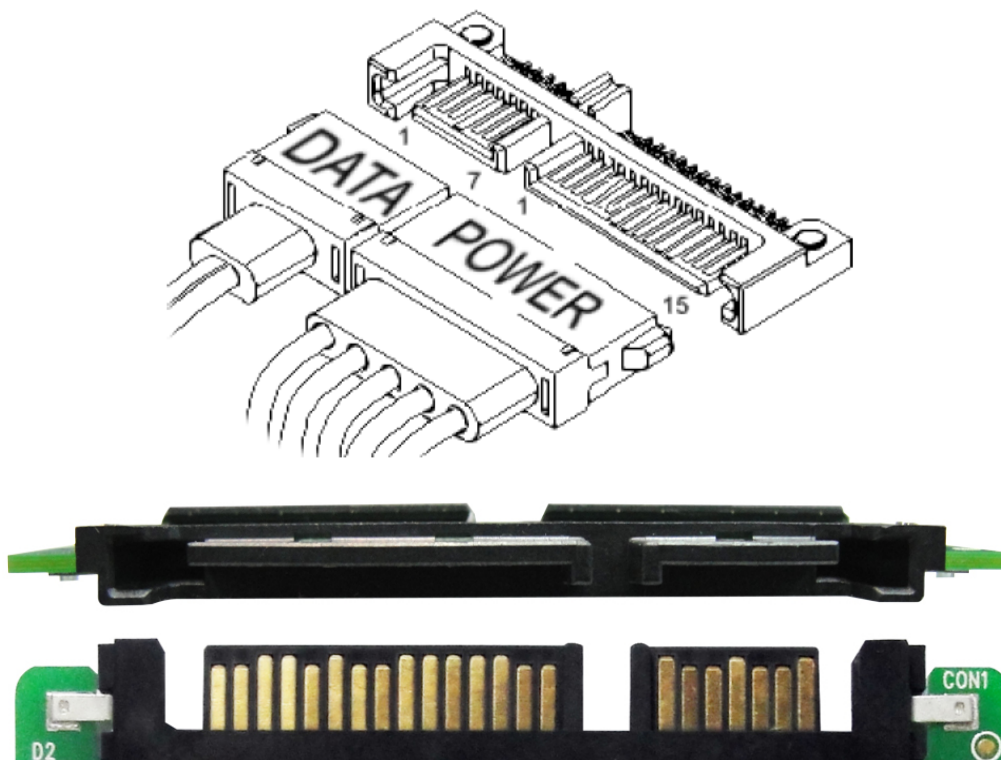


Figure 3 :The connectors of 1.8" Slim Lite SATA III SLC SSD

3.2. Pin Assignments

There are total of 7 pins in the signal segment and 15 pins in the power segment. The pin assignments are listed in below table 7.

Table 7 - Pin Assignments

Name	Type	Description
S1	GND	NA
S2	A+	Differential Signal Pair A
S3	A-	
S4	GND	NA
S5	B-	Differential Signal Pair B
S6	B+	
S7	GND	NA

Key and Spacing separate signal and power segments		
P1	NC	NA
P2	NC	NA
P3	NC	NA
P4	GND	NA
P5	GND	NA
P6	GND	NA
P7	V5	5V Power, Pre-Charge
P8	V5	5V Power
P9	V5	5V Power
P10	GND	NA
P11	DAS/DSS	Device Activity Signal / Disable Staggered Spin up
P12	GND	NA
P13	NC	NA
P14	NC	NA
P15	NC	NA

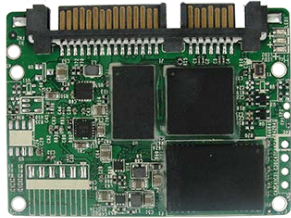
Notes:

1. All pins are in a signal row with a 1.27 mm (0.050" pitch).
2. The commands on the mating sequence in forward table apply to the case of backplane blind mate connector only. In this case, the mating sequences are:
 - (1) The pre-charge power pins and other ground pins.
 - (2) The signal pins and the rest of the power pins.

Appendix A: Ordering Information

1. Part Number List

◆ **APRO 1.8" Slim Lite SATA III SLC SSD – HERMES-HR Series supports DDRIII SDRAM Cache**

Product Picture	Grade	Standard grade (0°C ~ 70°C)	Industrial Grade (-40°C ~ +85°C)
	8GB	SB8RJ008G-JHCTC(/C)	WB8RJ008G-JHITI(/C)
	16GB	SB8RJ016G-JHCTC(/C)	WB8RJ016G-JHITI(/C)
	32GB	SB8RJ032G-JHCTC(/C)	WB8RJ032G-JHITI(/C)
	64GB	SB8RJ064G-JHCTC(/C)	WB8RJ064G-JHITI(/C)
	128GB	SB8RJ128G-JHCTC(/C)	WB8RJ128G-JHITI(/C)

2. Part Number Decoder:

X1 X2 X3 X4 X5 X6 X7 X8 X9 – X11 X12 X13 X14 X15 – C

X1 : Grade

S: Standard Grade – operating temp. 0° C ~ 70 ° C
W: Wide Temp Grade- operating temp. -40° C ~ +85 ° C

X2 : The material of case

B : Bare

X3 X4 X5 : Product category

8RJ : 1.8" Slim Lite SATA SSD w/ SDRAM Cache

X6 X7 X8 X9 : Capacity

008G:	8GB	064G:	64GB
016G:	16GB	128G:	128GB
032G:	32GB		

X11 : Controller

J : JMicron (HERMES-HR Series)

X12 : Controller version

A, B, C.....

X13 : Controller Grade

C : Commercial grade
I : Industrial grade

X14 : Flash IC

T : Toshiba SLC-NAND Flash IC

X15 : Flash IC grade / Type

C : Commercial grade
I : Industrial grade

C : Reserved for specific requirement

C : Conformal-coating

Appendix B: Limited Warranty

APRO warrants your 1.8" Slim Lite SATA III SLC SSD against defects in material and workmanship for the life of the drive. The warranty is void in the case of misuse, accident, alteration, improper installation, misapplication or the result of unauthorized service or repair. The implied warranties of merchantability and fitness for a particular purpose, and all other warranties, expressed or implied, except as set forth in this warranty, shall not apply to the products delivered. In no event shall APRO be liable for any lost profits, lost savings or other incidental or consequential damages arising out of the use of, or inability to use, this product.

BEFORE RETURNING PRODUCT, A RETURN MATERIAL AUTHORIZATION (RMA) MUST BE OBTAINED FROM APRO.

Product shall be returned to APRO with shipping prepaid. If the product fails to conform based on customers' purchasing orders, APRO will reimburse customers for the transportation charges incurred.

WARRANTY PERIOD:

- SB8RJxxxG-JHCTC(/C) 3 years



- WB8RJxxxG-JHITI(/C) 5 years



The warranty period is able to extend. Please contact APRO and/or Your APRO distributors for more information.